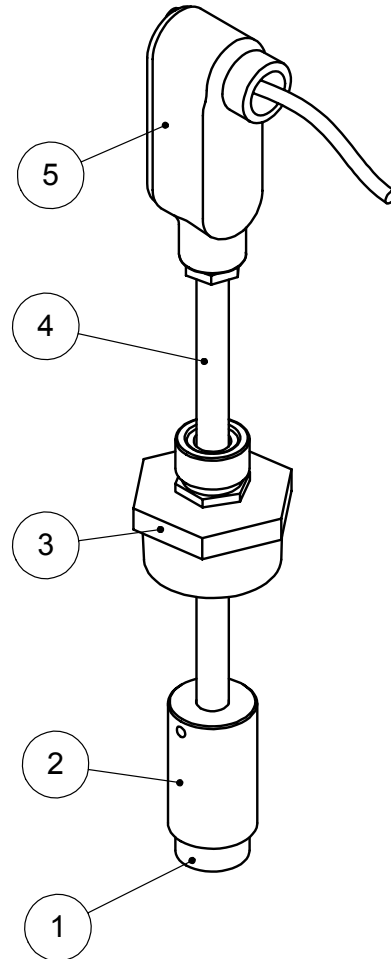
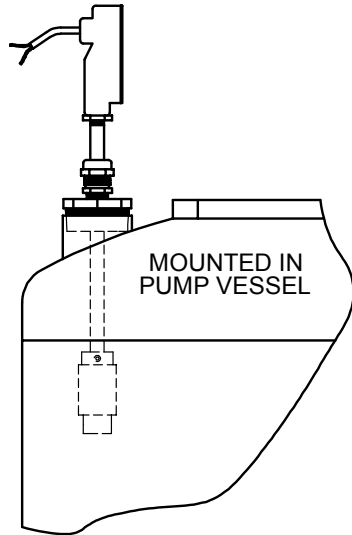


**DENSE FLOW LEVEL CONTROL**



ITEM #	DESCRIPTION
1	CAPACITIVE SENSOR HEAD
2	PROBE PROTECTION COLLAR
3	2" N.P.T. BUSHING
4	PROPE PIPE
5	CONDUIT CONNECTOR

LENGTH	PART #
10"	DF14410 X 01
21"	DF14421 X 01
OTHER LENGTHS AVAILABLE UPON REQUEST	

THE DENSE FLOW CAPACITIVE LEVEL CONTROL is basically used as a method of detecting material inside a Pump Vessel, Storage Hopper, or Surge Hopper. The basic probe comes in two standard lengths, 10" and 21". The probes are sealed and pressure tested to 100 psi so operation inside the Pump Vessel is not a problem. The probe uses 110 Volt AC power and requires a minimum load or resistor at all times. Other low voltage probes are available. The standard probe is capable of a maximum temperature of 150° F; however, other probe materials are available enabling temperatures up to 450° F. Adjustment of the probe is easily achieved by removing the adjustment screw cover and using the special screwdriver that is included. To adjust for more sensitivity the screw would be turned clockwise and for less sensitivity counter-clockwise. There is an LED indicator light that will allow for easy testing of the probe.

**NOTE:** Specifications and dimensions subject to change.