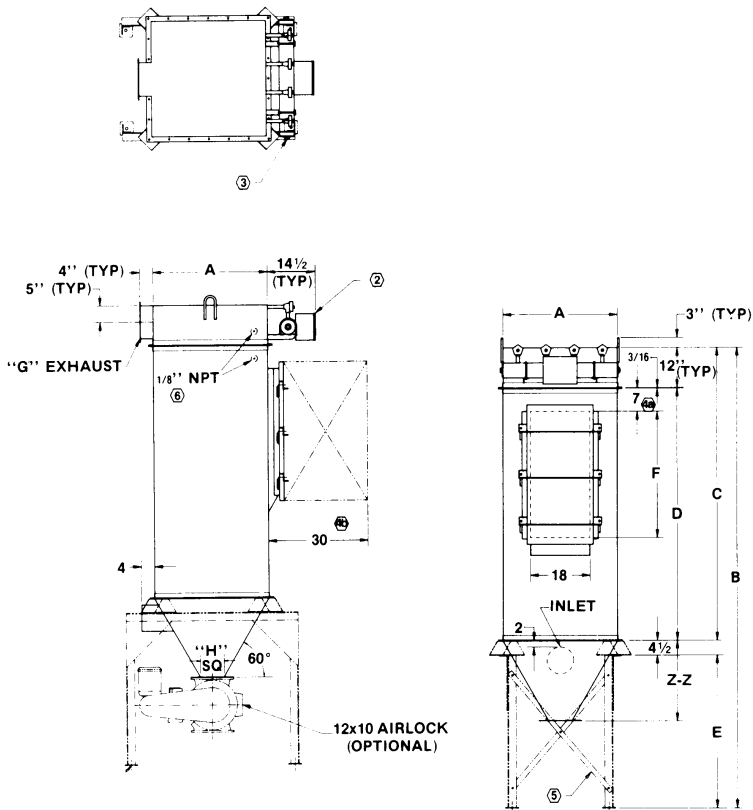


DENSE FLOW BVS DUST COLLECTOR



MODEL	CLOTH AREA	A	B	C	D	E	F	G
18-BVS-16	39	34 1/2"	84 11/16"	34 3/16"	22"	46"	15"	10" DIA.
36-BVS-16	78	34 1/2"	102 11/16"	52 3/16"	40"	46"	22"	10" DIA.
54-BVS-16	119	34 1/2"	120 11/16"	70 3/16"	58"	46"	30"	10" DIA.
72-BVS-16	159	34 1/2"	138 11/16"	88 3/16"	76"	46"	38"	10" DIA.
96-BVS-16	209	34 1/2"	162 11/16"	112 3/16"	100"	46"	48"	10" DIA.
18-BVS-25	62	43"	92 11/16"	34 3/16"	22"	54"	15"	10" X 20"
36-BVS-25	124	43"	110 11/16"	52 3/16"	40"	54"	22"	10" X 20"
54-BVS-25	186	43"	128 11/16"	70 3/16"	58"	54"	30"	10" X 20"
72-BVS-25	245	43"	146 11/16"	88 3/16"	76"	54"	38"	10" X 20"
96-BVS-25	332	43"	170 11/16"	112 3/16"	100"	54"	48"	10" X 20"
36-BVS-36	179	51 1/2"	118 11/16"	52 3/16"	40"	62"	22"	10" X 20"
54-BVS-36	269	51 1/2"	136 11/16"	70 3/16"	58"	62"	30"	10" X 20"
72-BVS-36	358	51 1/2"	154 11/16"	88 3/16"	76"	62"	38"	10" X 20"
96-BVS-36	478	51 1/2"	178 11/16"	112 3/16"	100"	62"	48"	10" X 20"

NOTE: Specifications and dimensions subject to change.