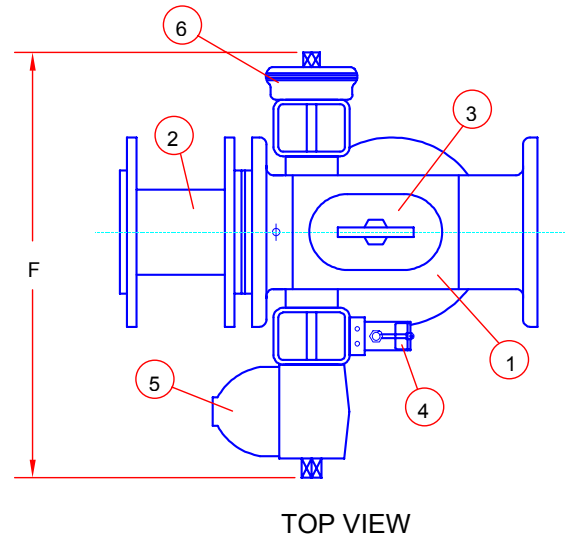
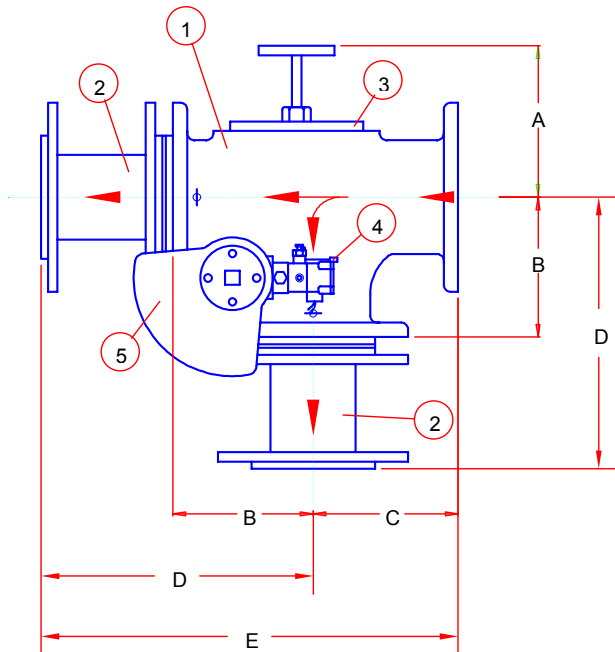


DENSE FLOW DIVERTER VALVE

Data Sheet
No. PCDV 4:20
June 1996



ITEM #	DESCRIPTION
1	SWITCH BODY
2	OUTLET SPOOL
3	INSPECTION PLATE
4	SOLENOID VALVE
5	ACTUATOR
6	LIMIT SWITCH

NOM. PIPE	A	B	C	D	E	F	PART #
1 1/2"	7 1/4"	6 1/16"	6 1/4"	13 1/8"	19 3/8"	22 1/2"	DF79500 X 99
2"	7 1/4"	6 1/16"	6 1/4"	13 1/8"	19 3/8"	22 1/2"	DF79501 X 99
2 1/2"	7 1/4"	6 1/16"	6 1/4"	13 1/8"	19 3/8"	22 1/2"	DF79502 X 99
3"	7 3/4"	6 3/4"	6 3/4"	13 13/16"	20 9/16"	22 1/2"	DF79503 X 99
4"	8 1/4"	7 3/8"	7 5/8"	14 7/16"	22 1/16"	24 1/2"	DF79504 X 99
5"	7 7/8"	8 3/8"	8 1/4"	15 3/4"	24"	24 1/2"	DF79505 X 99
6"	10"	11"	8"	18 1/2"	26 1/2"	24 1/2"	DF79506 X 99

THE DENSE FLOW DIVERTER VALVE is installed in a conveyor line to direct the flow of material in either of two directions; straight through, or diverted 90°. It can be installed in either of two orientations; horizontal inlet and horizontal and downward outlets, or upward inlet and upward and horizontal outlets. Sealing inside the Diverter is by rubber-faced Valve Seals acting against hardened alloy Seat Bushings. In the diverted 90° position the Valve has the same pocketing effect as the Dense Flow 90° Elbow.

NOTE: Specifications and dimensions subject to change.