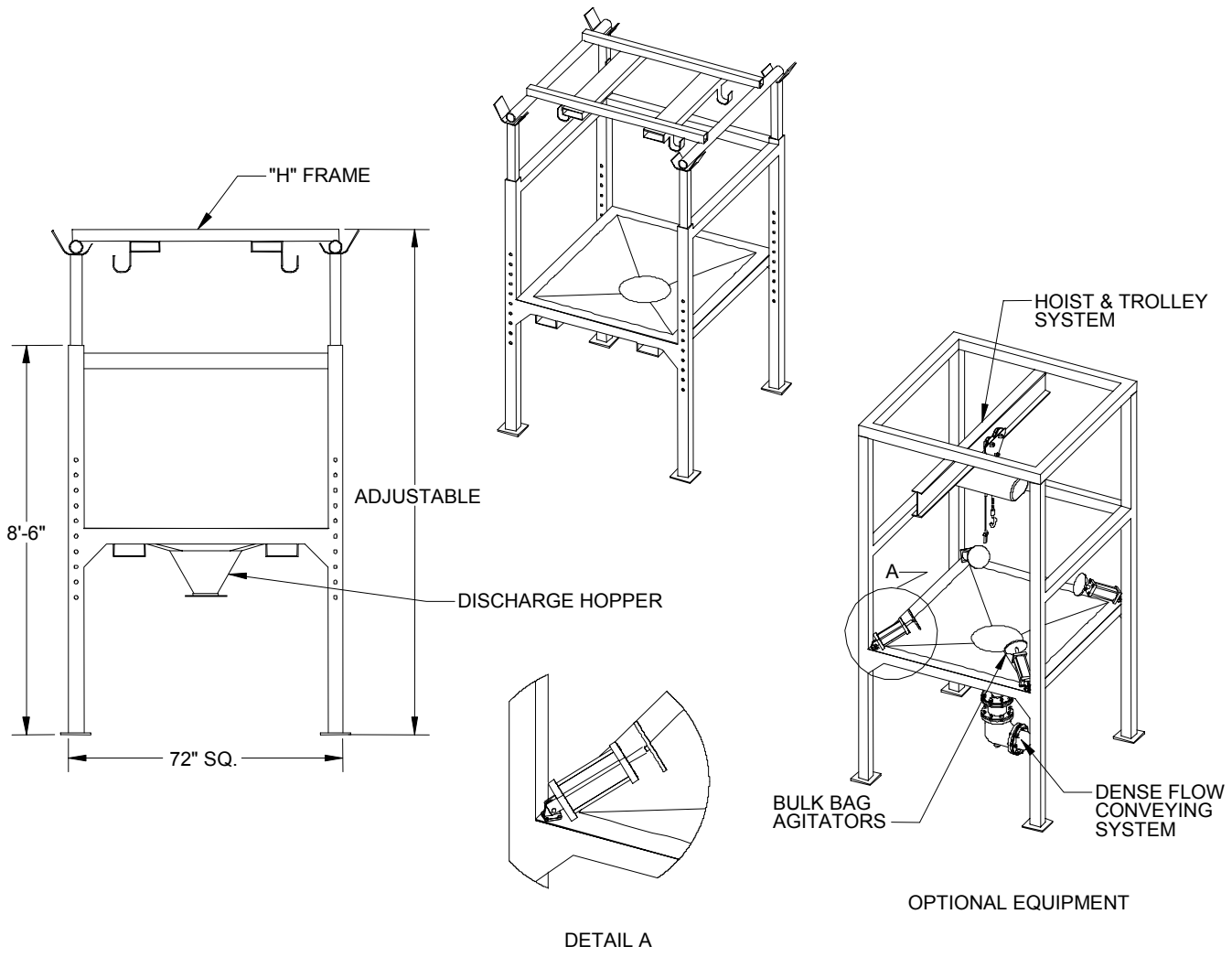


DENSE FLOW BULK BAG UNLOADER



THE DENSE FLOW BULK BAG UNLOADER is a structural framework used to position and discharge large bulk bags. The Bulk Bag Unloader is available in various configurations to accommodate the different size and style of bags. The Bulk Bag Unloader can be equipped for forklift loading or with a hoist and trolley system. The forklift style can be adjusted manually as the bag empties or the frame holding the bag can be spring loaded to automatically adjust during discharging. For materials that are not free flowing, agitators can be added. These Bulk Bag Unloaders can be integrated with a Dense Flow conveying system to convey the material to a receiving hopper or silo.

NOTE: Specifications and dimensions subject to change.