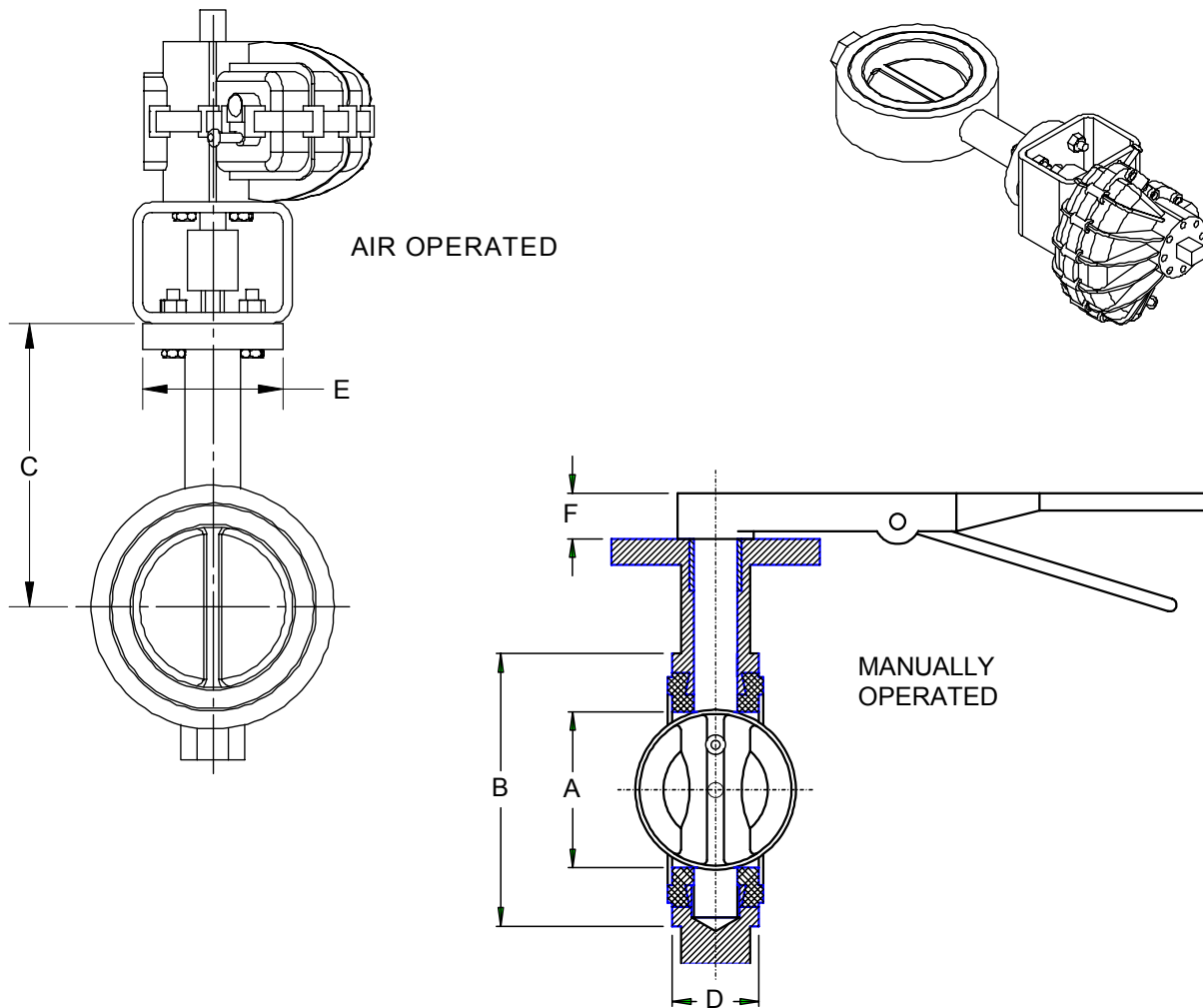


**DENSE FLOW BUTTERFLY VALVE**



SIZE	A	B	C	D	E	F
2"	2-7/8"	3-11/16"	5-1/2"	1-5/8"	3-1/2"	1-1/4"
4"	5-1/8"	6-1/16"	7"	2"	3-1/2"	1-1/4"
6"	7"	8-1/8"	8"	2-1/8"	3-1/2"	1-1/4"
8"	9-1/2"	10-1/2"	9-1/2"	2-1/2"	6"	1-1/4"
10"	11-1/2"	12-3/4"	10-3/4"	2-1/2"	6"	2"
12"	13-1/2"	14-7/8"	12-1/4"	3"	6"	2"

THE DENSE FLOW BUTTERFLY VALVE has many uses. The manually operated valve is used mainly as an emergency shut-off gate. The air-operated valve can be used as a vent valve to vent trapped air from pump vessels and also can be used as the main closing gate for pump vessels. It is sometimes necessary to have an auxiliary gate when conveying coarse material, which would not allow a cone type closing gate to seal.

**NOTE:** Specifications and dimensions subject to change.