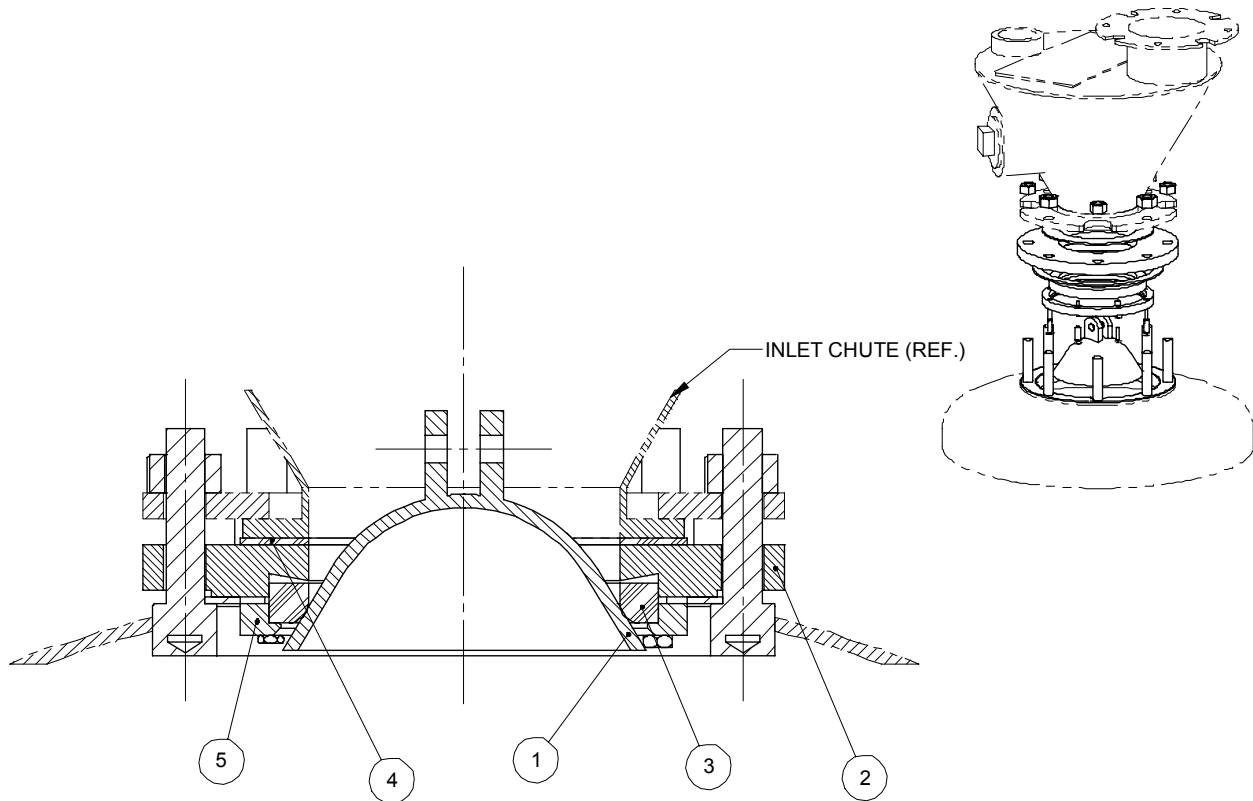


DENSE FLOW CONE VALVE



| ITEM | DESCRIPTION |
|------|--------------|
| 1 | Closing Cone |
| 2 | Top Flange |
| 3 | Tank Seal |
| 4 | Tank Gasket |
| 5 | Retainer |

| OPENING DIA. "A" | PART # |
|------------------|------------|
| 6" | DF10606X99 |
| 10" | DF10610X99 |
| 14" | DF10614X99 |
| 20" | DF10620X99 |

THE DENSE FLOW CONE VALVE is designed for use with abrasive materials and will seal against granular products up to 12 Mesh in size. When larger particles are present an automatic auxiliary gate is required to keep material from the sealing surface. The Cone Valve may be operated by an outside closing cylinder, which would be attached to an Inlet Chute, or a Bag Dump, Surge Hopper etc. The Cone Valve may also be operated by an inside diaphragm type cylinder. The Cone Valve design allows for thousands of operating cycles because the material is not rubbed against the seal and when pressure is in the vessel the cone seal tighter.

NOTE: Specifications and dimensions subject to change.