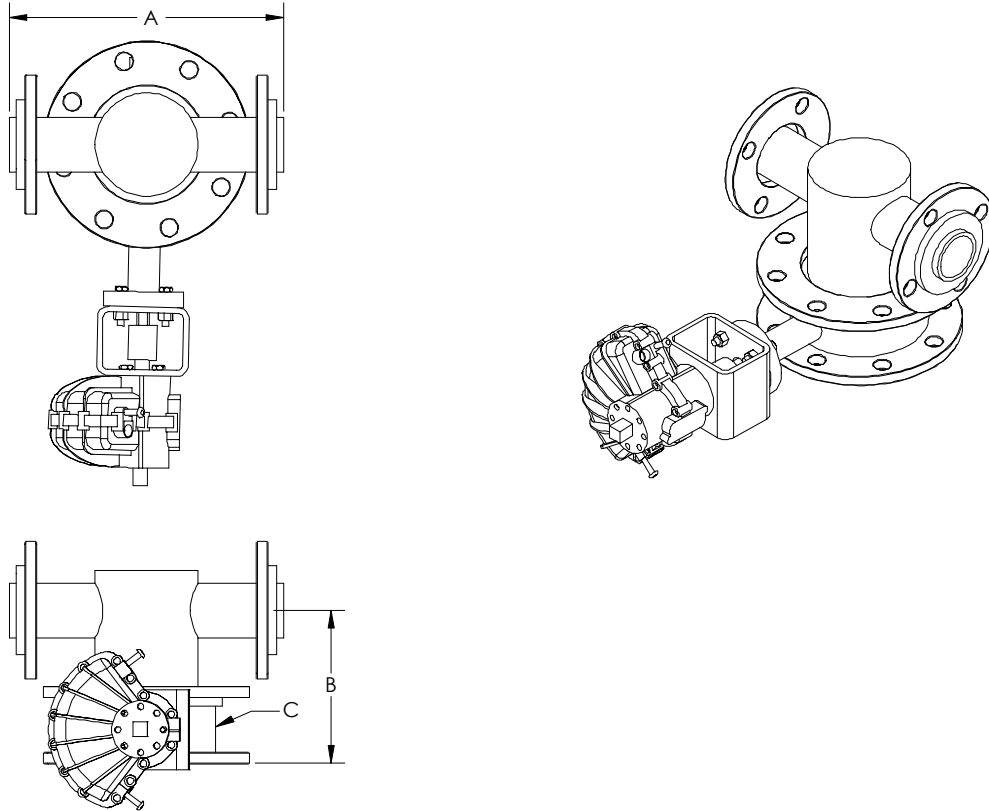


DENSE FLOW TEE DIVERTER VALVE



NOM. PIPE	A	B	C	PART #
1 1/2"	12"	6 1/16"	4"	DF79400 X 99
2"	12"	6 1/16"	4"	DF79401 X 99
2 1/2"	12"	6 1/16"	4"	DF79402 X 99
3"	16"	6 3/4"	6"	DF79403 X 99
4"	16"	7 3/8"	6"	DF79404 X 99
5"	18"	8 3/8"	8"	DF79405 X 99
6"	18"	11"	8"	DF79406 X 99
8"	18"	12"	10"	DF79407 X 99

THE DENSE FLOW DIVERTER VALVE is installed in a conveyor line to direct the flow of material in either of two directions; straight through, or diverted 90°. It can be installed in one orientation; horizontal inlet and horizontal and downward outlets. When the valve is closed the material being conveyed fills the void area of the main body and continues straight through to the next open valve. When the valve is open material falls through the larger opening at a reduced velocity. The rest of the pipeline will create an airtight seal when all other valves are closed, so material will not straight through.

NOTE: Specifications and dimensions subject to change.