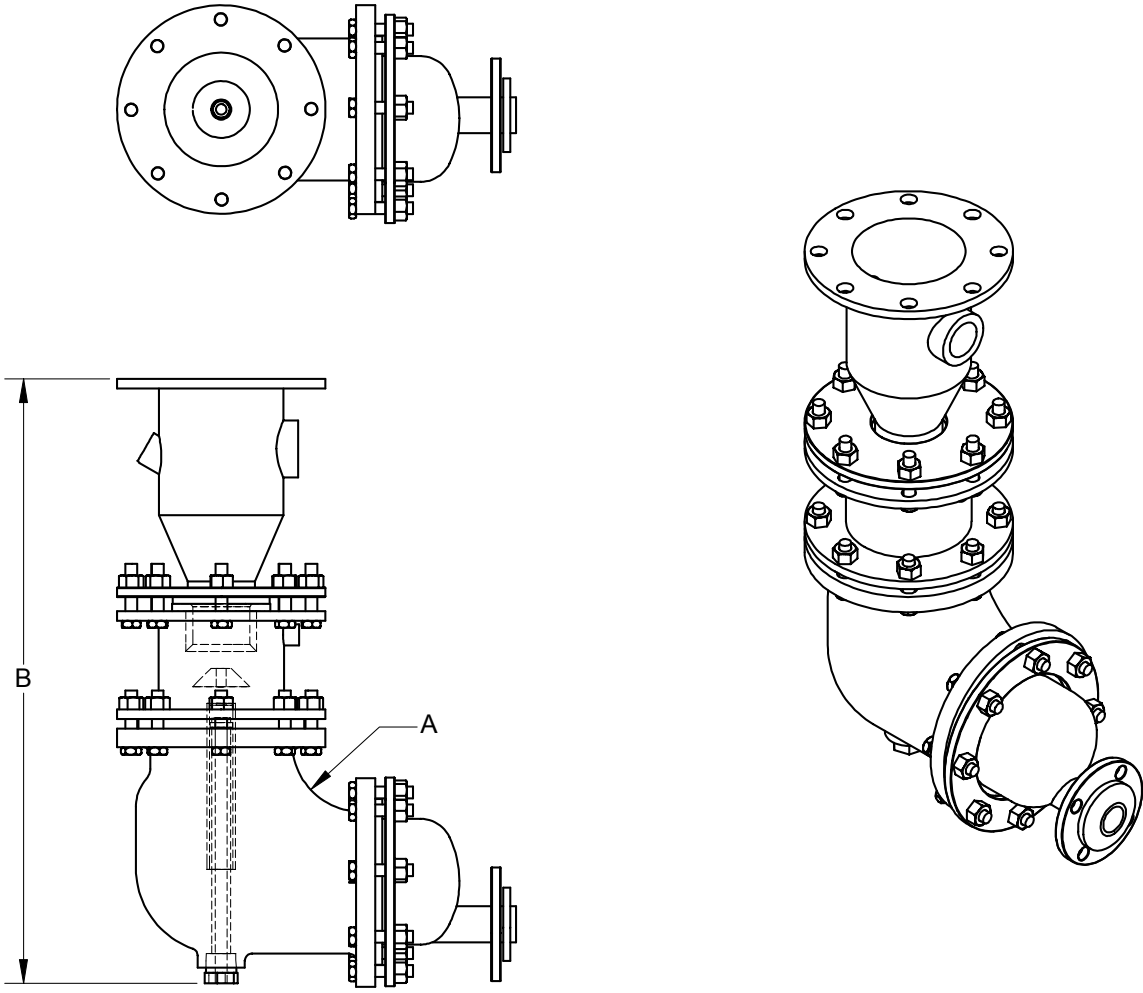


DENSE FLOW EB PUMP VESSEL



PUMP MODEL	A	B
DF1/4CF4-2EB	4"	2'-7"
DF1/3CF6-3EB	6"	2'-10"

The main component in a DENSE FLOW system is the Pump Vessel. The Pump Vessel is available in various designs and sizes to convey a wide variety of materials at almost any conveying rate and distance. The EB Model Pump has a dished bottom and side discharge for conveying free flowing materials. The Pump Vessel includes an Inside Manifold, a Cone or Butterfly inlet Gate operated by a Closing Cylinder either inside or outside the Pump. One unique feature of this Pump is its low mounting dimensions, which enables it to fit into areas with low headroom.

NOTE: Specifications and dimensions subject to change.